

# BNB75T/BNB300T Instruction Manual 使用说明书

This product is a replacement battery pack for BN50T, BN75T(BNB75T), BN100T, BN150T, BN220T, and BN300T(BNB300T).

## Table of Contents



|                             |    |
|-----------------------------|----|
| Safety Precautions .....    | 1  |
| Checking the contents ..... | 4  |
| Replacing the battery ..... | 4  |
| BN50T/BN75T .....           | 5  |
| BN100T/BN150T .....         | 9  |
| BN220T/BN300T .....         | 13 |
| Notes of Chinese .....      | 18 |

## Safety Precautions

### Safety precautions

Important information for safe operation is described. Be sure to read it before installation and start of use.

- The safety symbols and their meaning used in this manual are as follows:

|   |                |   |
|---|----------------|---|
|  | <b>Warning</b> | Misuse may cause death or serious injury.   |
|  | <b>Caution</b> | Misuse may cause injury or property damage. |

\* Property damage means damage to houses/household effects, livestock, and pets.

 : Indicates prohibition. For example,  indicates that disassembly is prohibited.

 : Indicates obligation. For example,  indicates that grounding is necessary.

Note that events categorized as a caution required matter also may cause more serious results under certain conditions.



## Caution (for battery replacement)

### Perform replacement on a stable and flat place.

- Handle the battery carefully so that you do not drop it.
- Not doing so could cause injury or burns due to liquid (acid) leakage.



### Use a specified battery for replacement.

- Not doing so may cause a fire.
- Replacement battery pack for  
BNB75T (BN50T/BN75T Replacement Battery Pack)  
BNB300T (BN100T/BN150T, BN220T/BN300T [required two battery packs for these models] Replacement Battery Pack)



### Do not replace the battery in a place where there is flammable gas.

- Spark may occur when connecting the battery, which may cause an explosion or fire.



### If fluid (dilute sulfuric acid) leaks from the battery, do not touch the fluid.

- Doing so may cause blindness or burns.
- If it contacts your eyes or skin, wash it out with lots of clean water and consult your doctor.



### Do not disassemble or modify the battery.

- Doing so could cause dilute sulfuric acid leak, which could cause blindness and burns.



### Do not drop the battery and do not expose it to strong impact.

- Dilute sulfuric acid may leak.



### Do not short the battery with metal objects.

- Doing so could cause an electric shock, fire or burn.
- Some electrical energy still remains inside the spent battery.



### Do not put the battery into fire and do not break it.

- The battery may explode or leak dilute sulfuric acid.



### Do not use a new battery and an old battery at the same time.

- Dilute sulfuric acid may leak.
- A battery can present a risk of electrical shock and high short circuit current. The following precautions should be observed when working on batteries:
  - a. Remove watches, rings, or other metal objects from the hands.
  - b. Use a screwdriver with an insulated handle.
  - c. Wear insulated gloves and boots.
  - d. Do not lay tools or metal parts on top of batteries.
  - e. Disconnect charging source prior to connecting or disconnecting batteries terminals.



Note: This only applies when the UPS is used in compliance with UL standards.

- f. Do not ground the batteries.
- Battery replacement should be performed or supervised by personnel familiar with the danger of batteries and the required precautions.



## Caution (for battery replacement)

**Do not place hands in the battery compartment when replacing the batteries.**

- There is a risk of electrical shock or short-circuit.
- Do not insert metal objects into the compartment.



**Do not insert metal objects into the battery connectors.**

- Doing so may result in electric shock.



**Keep plastic package bags out of reach of children.**

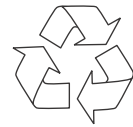
- Children may suffocate if they place their heads into plastic bags.



### ◆Precautions◆

**This unit uses lead acid batteries.**

- Which are a valuable recyclable resource. Please recycle.



Pb

# Checking the contents

Check whether all the package contents are included and there is no damage found on their appearance.

If you should notice defects or anything wrong, contact us; OMRON Electronic Systems & Equipments Customer Support Center.

- Instruction manual (Japanese/English).....1 each
- Battery pack fixing screw (Spare).....1
- Battery replacement date label.....1

# Replacing the battery

The battery can be replaced while the unit is stopped (power supply output stopped).

## Notes

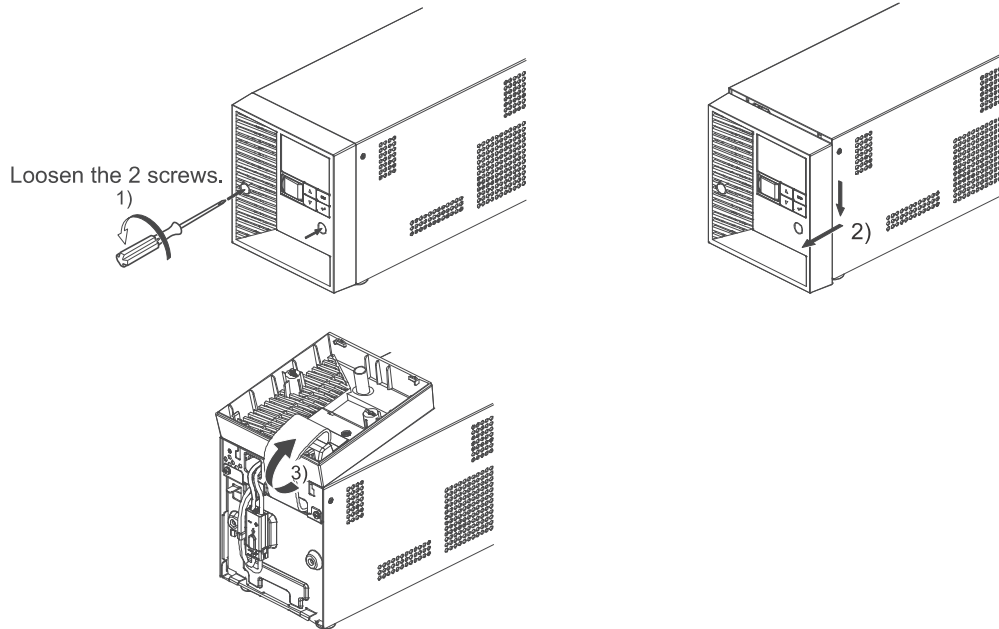
- When the unit is used in compliance with UL standards, battery replacement should be performed or supervised by personnel familiar with the danger of batteries and the required precautions.
- If an input power supply error such as a power failure occurs when replacing the battery while in operation, backup cannot be performed and output stops.
- Do not replace the battery during backup operation. Output will stop.

## Additional Information

When the “battery replacement” LED lights up/blinks and beeper sounds, press the beep stop/test switch for 0.5 seconds to stop the beeper. (Lighting/blinking of “battery replacement” LED does not disappear.)

# BN50T/BN75T

1. Use a screwdriver to loosen (turn counter-clockwise) the 2 screws at the top of the front panel of the unit, until they turn freely. (The screws cannot be removed from the front panel.) 1) Lower the front panel and pull toward you to remove. 2) Place the removed front panel on the unit. 3)

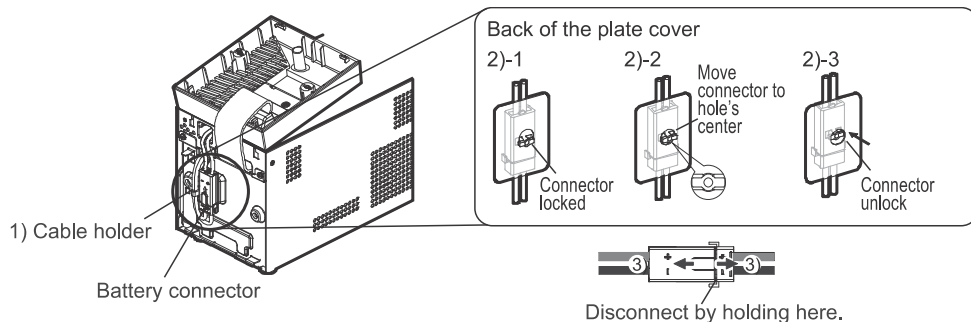


## Caution (for maintenance)

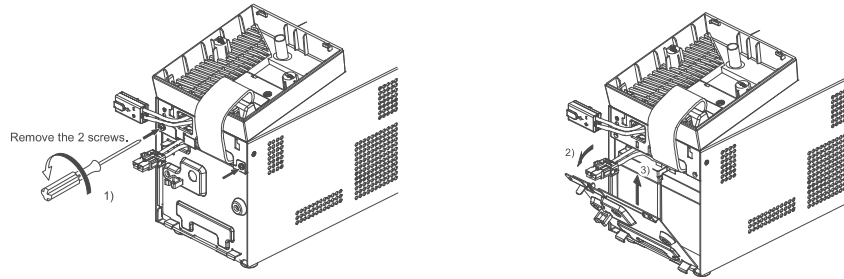
Do not pull the cables of the LCD or disconnect the connectors.



2. Remove the battery cable from the cable holder. 1) The battery connector is locked in the fastening hole in the plate. Lift the connector (2)-1), move to the center of the hole (2)-2), and pull the connector to the back to unlock (2)-3). Hold the battery connector, and pull the connectors apart. 3)



3. Turn the 2 screws that fix the plate cover counter-clockwise to remove them. 1)  
Pull the plate cover towards you 2) and lift it up to remove it.3)



4. Hold the pullout label at the bottom of the battery pack and remove the battery pack.

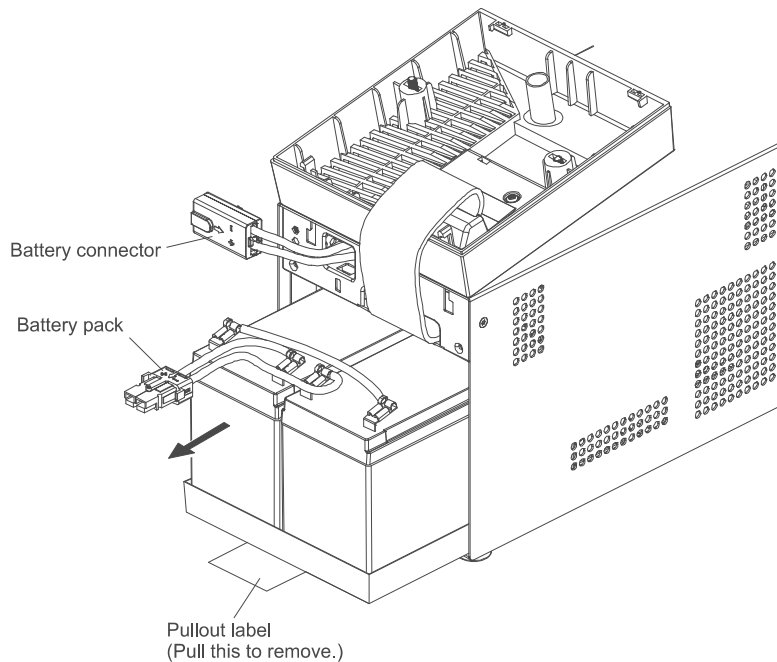


### Caution (for maintenance)

Do not hold the connector or cable of the battery pack.



Use the red tape on the top of the battery pack, which is 10 cm from the inner edge of the battery, to gauge how much further you need to pull the battery to remove it. Hold the battery securely with both hands so as not to drop it.



**5.** Insert a new battery into the UPS as far as it will go. 1)

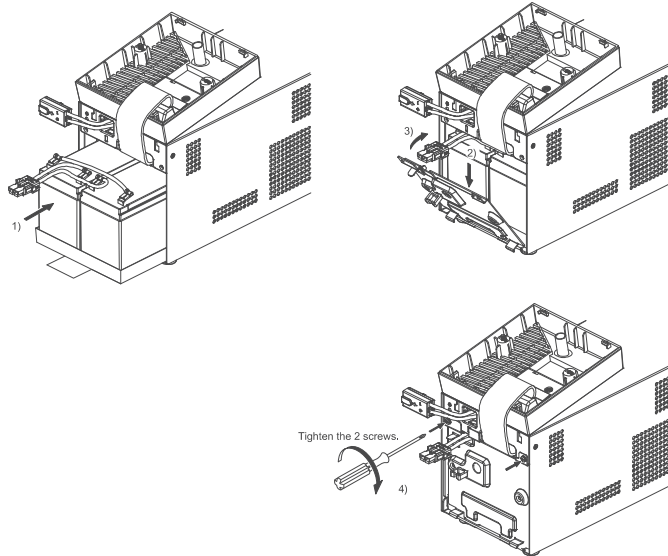
- Replacement battery pack

BN50T/BN75T: Model BNB75T

Attach the plate cover in order of 2) to 3).

Use a screwdriver to securely tighten (clockwise) the 2 screws you removed. 4)

Do not pinch the cable with the plate cover.



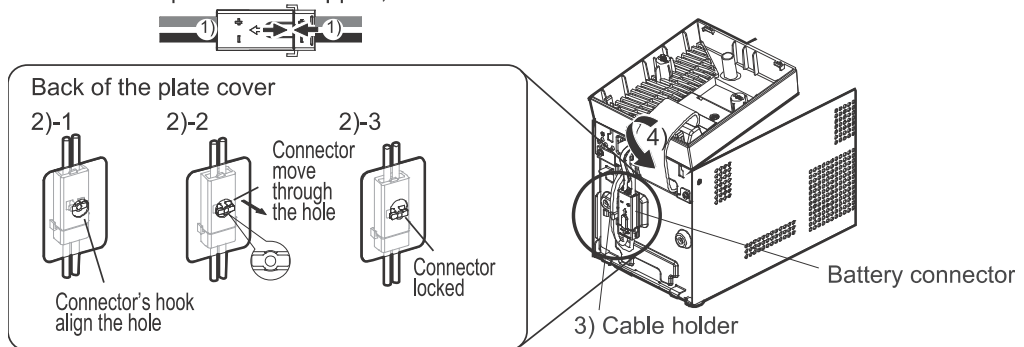
**6.** Insert the battery connector until it is locked. 1)

Hold the battery connector, move the connector hook to the center of the fastening hole in the plate (2)-1), insert through the hole (2)-2), and lower the connector to lock in the hole (2)-3).

Install the battery cable in the cable holder. 3)

Lower the front panel 4).

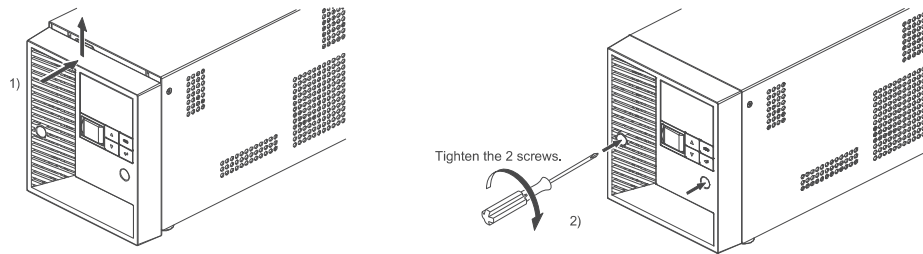
Note: You may hear a “pop” sound when you connect the battery if it is replaced after the unit’s operation is stopped, but this sound is not abnormal.



**7.** Attach the front panel.

Attach the front panel to the unit. 1)

Use a screwdriver to securely tighten (clockwise) the 2 screws at the top of the front panel. 2)



Battery replacement is now complete.

### Notes

**Be sure to reset the battery life counter after replacing the battery.**

- After replacing the battery, reset the battery life counter from the “Control” - “Reset B.life counter” screen in the menu on the unit’s LCD.  
If you do not reset the battery life counter, a battery replacement alarm may occur earlier than the expected battery life.

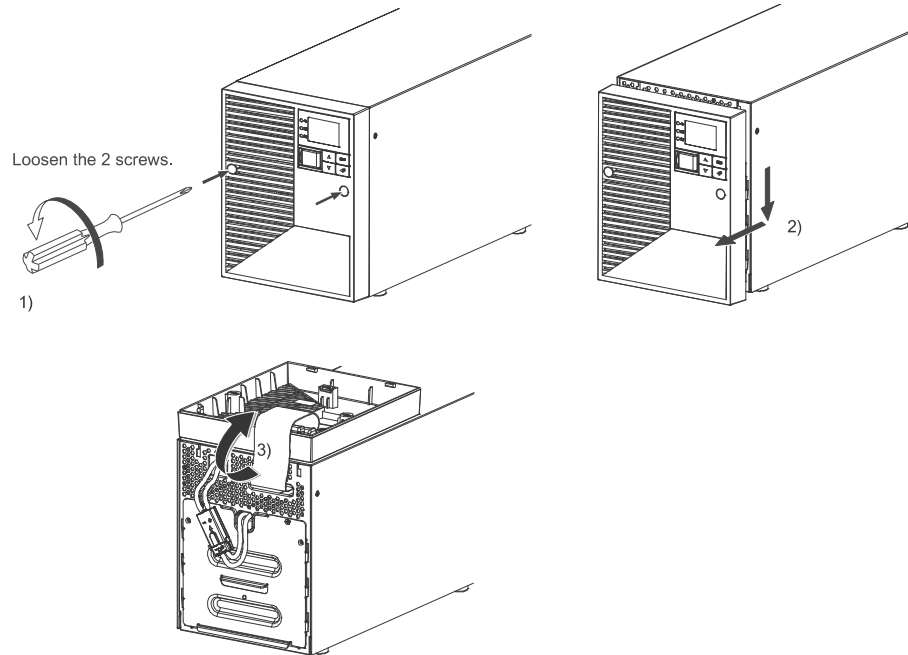
**Write the battery replacement date on the included battery replacement date label, and attach the label to the unit.**

Or, enter the battery replacement date from the “Setting” - “Battery Settings” - “Battery Installation” screen in the menu on the LCD.



# BN100T/BN150T

1. Use a screwdriver to loosen (turn counter-clockwise) the 2 screws at the top of the front panel of the unit, until they turn freely. (The screws cannot be removed from the front panel.) 1)  
Lower the front panel and pull toward you to remove. 2)  
Place the removed front panel on the unit. 3)

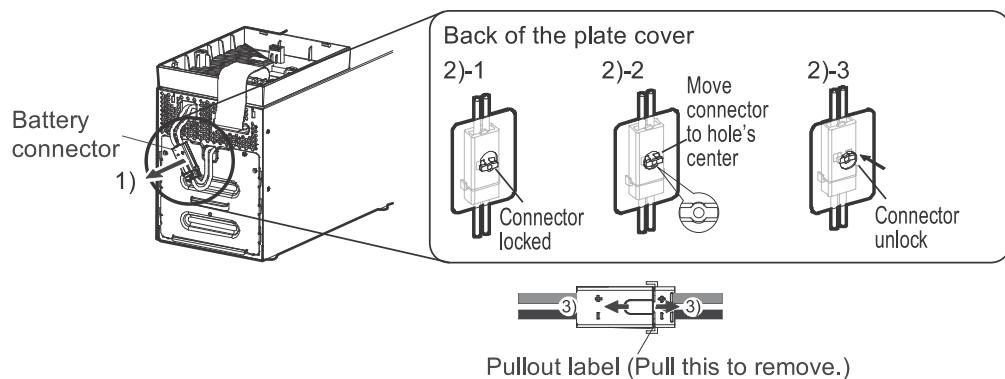


## Caution (for maintenance)

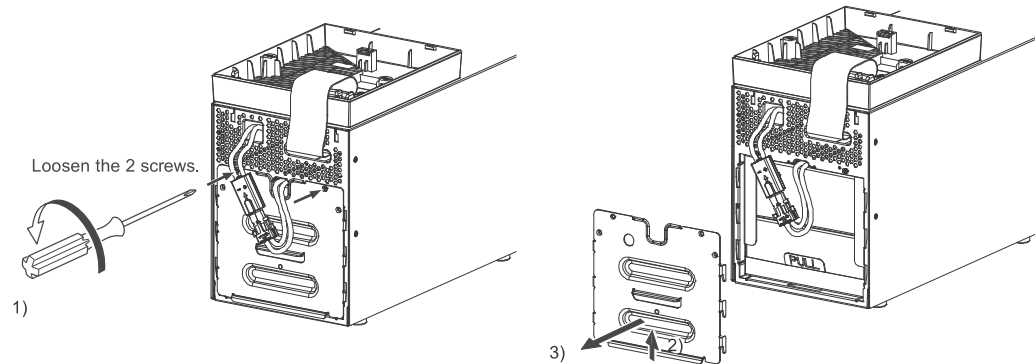
Do not pull the cables of the LCD or disconnect the connectors.



2. Remove the battery connector from the plate cover. 1)  
The battery connector is locked in the fastening hole in the plate. Lift the connector (2)-1), move to the center of the hole (2)-2), and pull the connector to the back to unlock (2)-3).  
Hold the battery connector, and pull the connectors apart. 3)



3. Turn the 2 screws that fix the plate cover counter-clockwise to remove them. 1)  
Pull the plate cover towards you 2) and lift it up to remove it. 3)



4. Hold the pullout label at the bottom of the battery pack and remove the battery pack.

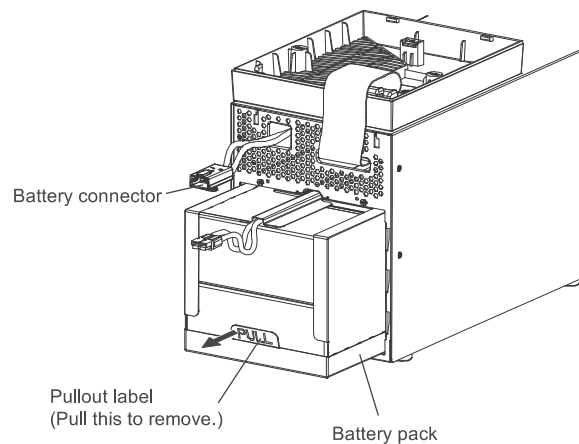


### Caution (for maintenance)

Do not hold the connector or cable of the battery pack.



Use the red tape on the top of the battery pack, which is 10 cm from the inner edge of the battery, to gauge how much further you need to pull the battery to remove it. Hold the battery securely with both hands so as not to drop it.



**5.** Insert a new battery into the UPS as far as it will go. 1)

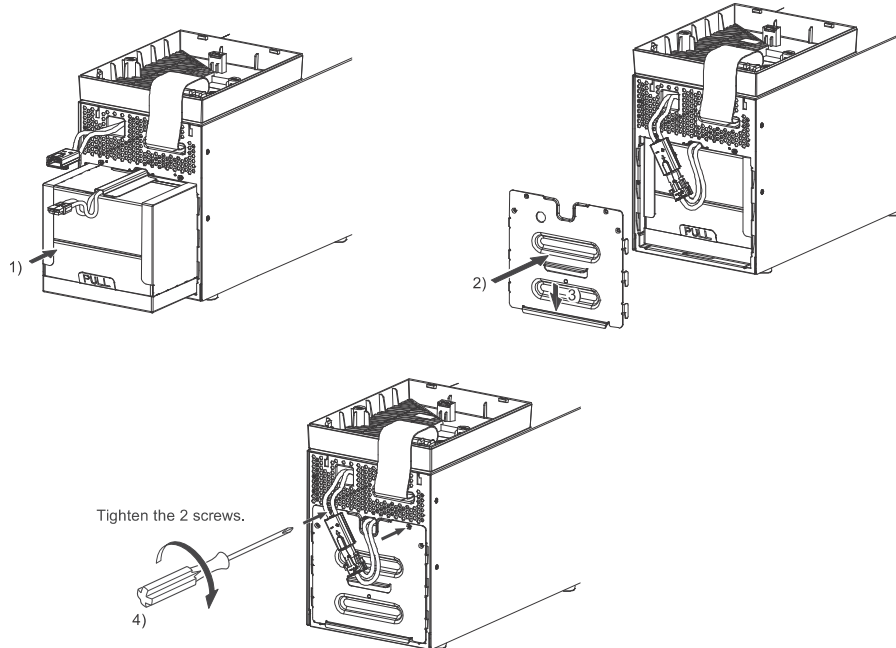
- Replacement battery pack

BN100T/BN150T: Model BNB300T

Attach the plate cover in order of 2) to 3).

Use a screwdriver to securely tighten (clockwise) the 2 screws you removed. 4)

Do not pinch the cable with the plate cover.

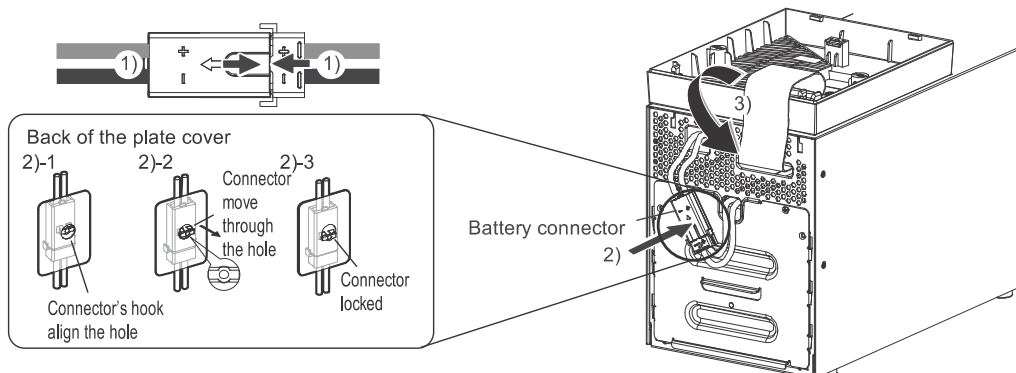


**6.** Insert the connector until it is locked. 1)

Hold the battery connector, move the connector hook to the center of the fastening hole in the plate (2)-1), insert through the hole (2)-2), and lower the connector to lock in the hole (2)-3).

Lower the front panel (3)).

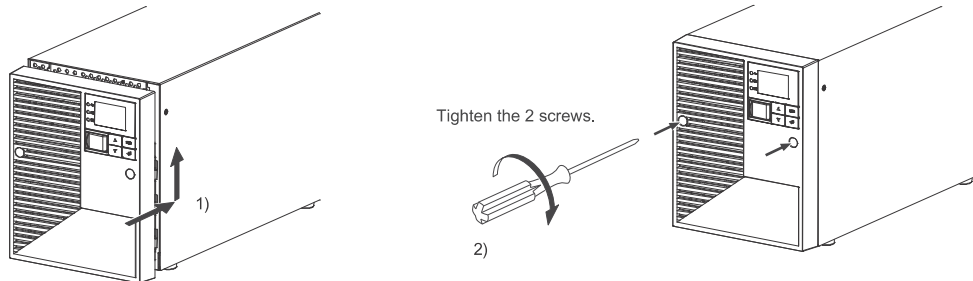
Note: You may hear a “pop” sound when you connect the battery if it is replaced after the unit’s operation is stopped, but this sound is not abnormal.



**7.** Attach the front panel.

Attach the front panel to the unit. 1)

Use a screwdriver to securely tighten (clockwise) the 2 screws at the top of the front panel. 2)



Battery replacement is now complete.

### Notes

**Be sure to reset the battery life counter after replacing the battery.**

- After replacing the battery, reset the battery life counter from the “Control” - “Reset B.life counter” screen in the menu on the unit’s LCD.

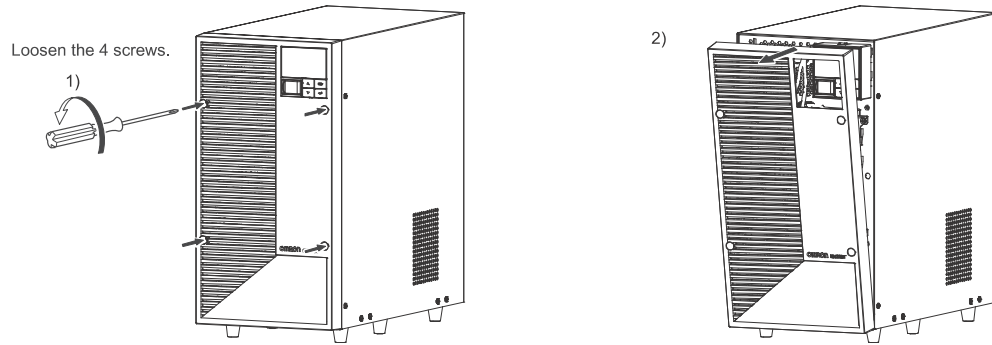
If you do not reset the battery life counter, a battery replacement alarm may occur earlier than the expected battery life.

**Write the battery replacement date on the included battery replacement date label, and attach the label to the unit.**

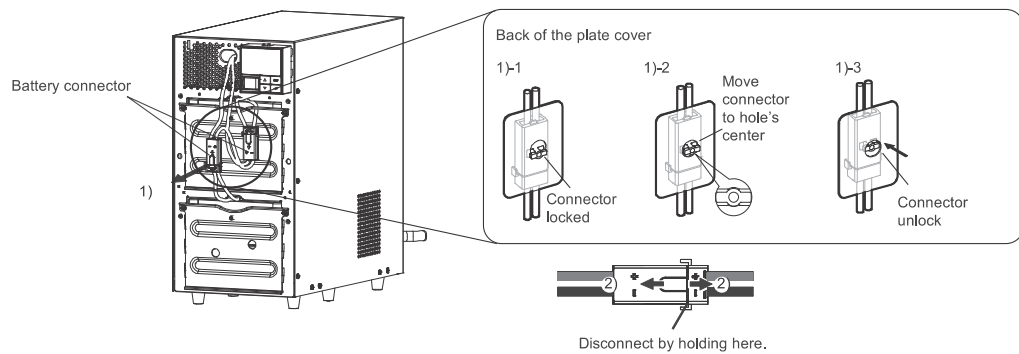
Or, enter the battery replacement date from the “Setting” - “Battery Settings” - “Battery Installation” screen in the menu on the LCD.

# BN220T/BN300T

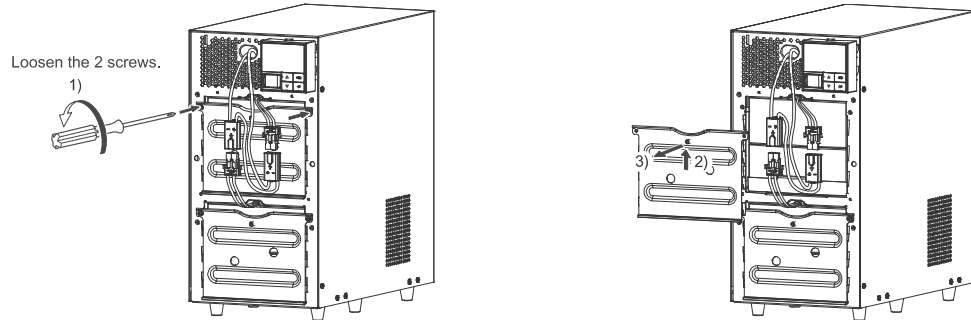
1. Use a screwdriver to loosen (turn counter-clockwise) the 4 screws at the top of the front panel of the unit, until they turn freely. (The screws cannot be removed from the front panel.) 1)  
Pull the front panel toward you to remove. 2)



2. Remove the battery connector from the plate cover. 1)  
The battery connector is locked in the fastening hole in the plate. Lift the connector (1)-1), move to the center of the hole (1)-2), and pull the connector to the back to unlock (1)-3).  
Hold the battery connector, and pull the connectors apart. 2)  
Do this for both battery connectors.



- Turn the 2 screws that fix the plate cover over the upper battery counter-clockwise to remove them. 1)  
Pull the plate cover towards you 2) and lift it up to remove it. 3)



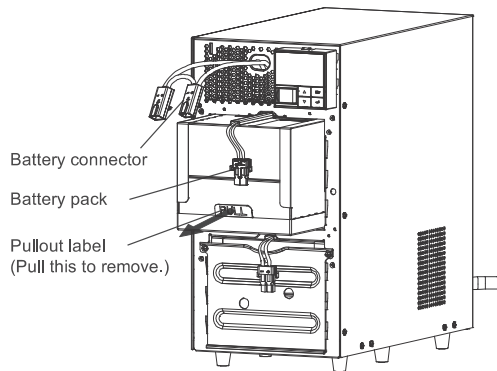
- Hold the pullout label at the bottom of the upper battery pack and remove the battery pack.

### **Caution (for maintenance)**

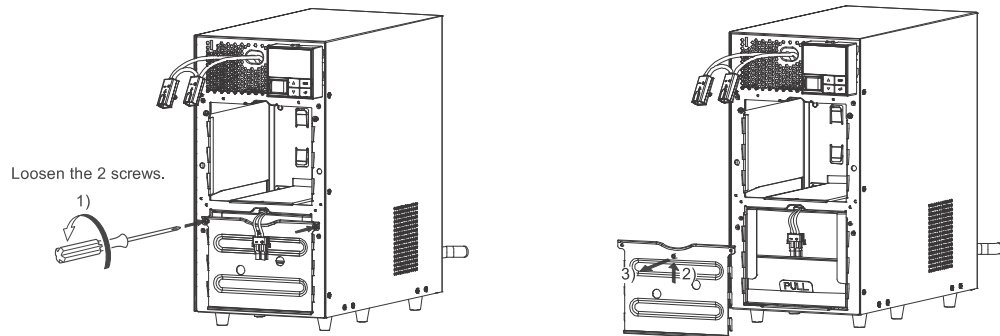
**Do not hold the connector or cable of the battery pack.**



Use the red tape on the top of the battery pack, which is 10 cm from the inner edge of the battery, to gauge how much further you need to pull the battery to remove it. Hold the battery securely with both hands so as not to drop it.



5. Turn the 2 screws that fix the plate cover over the lower battery counter-clockwise to remove them. 1)  
Pull the plate cover towards you 2) and lift it up to remove it. 3)



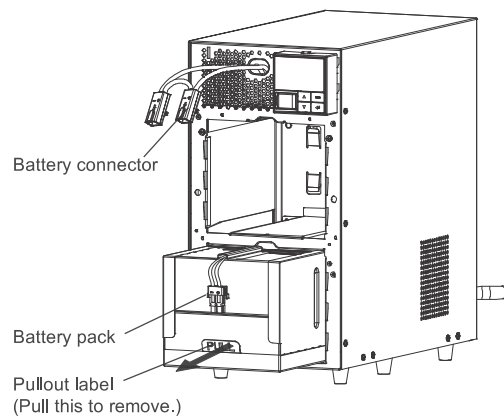
6. Hold the pullout label at the bottom of the lower battery pack and remove the battery pack.

### **Caution (for maintenance)**

**Do not hold the connector or cable of the battery pack.**



Use the red tape on the top of the battery pack, which is 10 cm from the inner edge of the battery, to gauge how much further you need to pull the battery to remove it. Hold the battery securely with both hands so as not to drop it.



**7.** Insert a new battery into the UPS as far as it will go. 1)

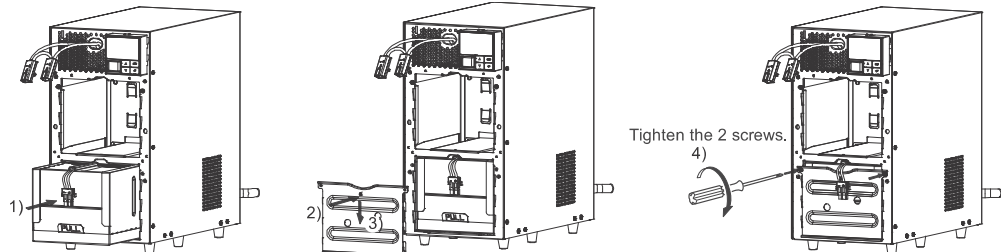
- Replacement battery pack

For BN220T/BN300T: Model BNB300T

Attach the plate cover in order of 2) to 3).

Use a screwdriver to securely tighten (clockwise) the 2 screws you removed. 4)

Do not pinch the cable with the plate cover.



**8.** Insert a new battery into the UPS as far as it will go. 1)

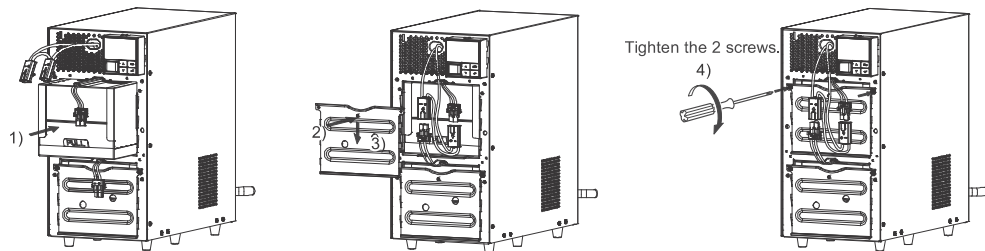
- Replacement battery pack

For BN220T/BN300T: Model BNB300T

Attach the plate cover in order of 2) to 3).

Use a screwdriver to securely tighten (clockwise) the 2 screws you removed. 4)

Do not pinch the cable with the plate cover.

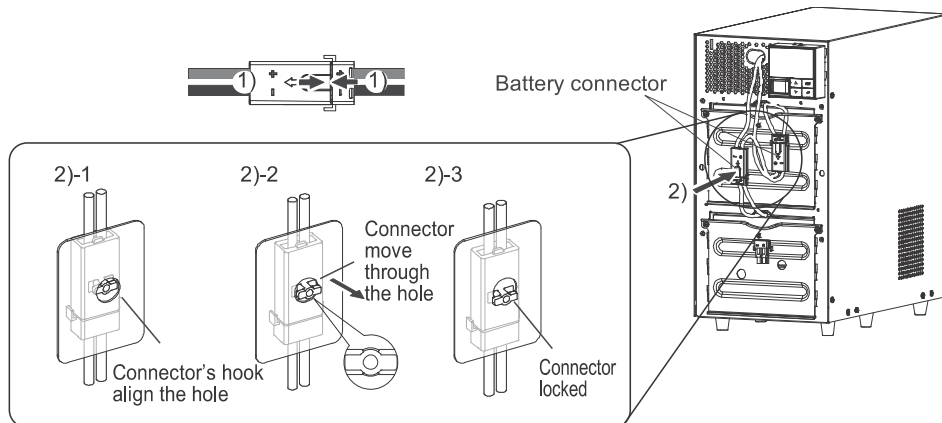


**9.** Insert the connector until it is locked. 1)

Hold the battery connector, move the connector hook to the center of the fastening hole in the plate (2)-1), insert through the hole (2)-2), and lower the connector to lock in the hole (2)-3).

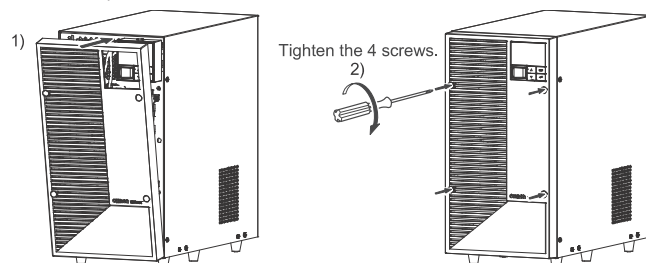
Do this for both battery connectors.

Note: You may hear a “pop” sound when you connect the battery if it is replaced after the unit’s operation is stopped, but this sound is not abnormal.





- 10.** Attach the front panel.  
Attach the front panel to the unit. 1)  
Use a screwdriver to securely tighten (clockwise) the 4 screws at the top of the front panel. 2)



Battery replacement is now complete.

### Notes

**Be sure to reset the battery life counter after replacing the battery.**

- After replacing the battery, reset the battery life counter from the “Control” - “Reset B.life counter” screen in the menu on the unit’s LCD.  
If you do not reset the battery life counter, a battery replacement alarm may occur earlier than the expected battery life.

**Write the battery replacement date on the included battery replacement date label, and attach the label to the unit.**

Or, enter the battery replacement date from the “Setting” - “Battery Settings” - “Battery Installation” screen in the menu on the LCD.

# Notes of Chinese

## 扩展电池模块使用说明书

本文是更换不间断电源(以下简称 UPS)内置电池模块时的使用说明书。  
详细内容请参照英文版使用说明书  
(以下简称“Instruction Manual”)。

### 更换电池

无论 UPS 处于停止运转(停止输出电源)状态、还是正在运转状态(正在输出电源)均可执行电池更换。

- ※ 在停止运转状态下更换时，请停止连接设备的运转、关闭 UPS 的“电源输出”开关、并从电源插座上拔掉“AC 输入”插头。
- ※ 在运转状态下的电池更换中发生停电等输入电源异常时，会导致无法进入后备式运转而停止电源输出。
- ※ 请勿在后备式运转中更换电池。否则会导致输出停止。

- 卸下 UPS 正面的前面板螺钉，拆除前面板。  
螺钉位置请查看“Instruction Manual”。
- 拆除位于前面板内侧的金属盖。  
拆除方法请查看“Instruction Manual”。
- 拔掉连接 UPS 和扩展电池的插头。  
请一边握住插头主体一边拔去。
- 请将新品扩展电池放入 UPS，然后连接插头。
- 安装金属盖。
- 安装前面板或外盖，并用螺钉紧固。

<更换电池后，必须进行电池寿命计数器的复位。>

更换电池后，请在不间断电源装置（UPS）的 LCD 菜单 [Control] - [Reset B.life counter] 画面，复位电池寿命计数器。若不进行电池寿命计数器的复位、可能会早于电池预期寿命发生电池更换报警。



请在附带的“电池更换日期”标签上填写更换电池的日期，并粘贴于不间断电源装置（UPS）上。或在 LCD 菜单 [Setting] - [Battery Settings] - [Battery Installation] 画面输入电池更换日期。

◆注意事项◆

本产品中使用了铅酸蓄电池(铅蓄电池)。

- 将换下无用的电池进行废物处理时，请联系咨询窗口。

电池可以保管(未使用状态)的期限是，自完全充电状态起约6个月左右。  
(保管温度在25℃以下时。40℃以下时为2个月左右。)

- 电池即使不使用也会在内部自然放电，长时间放置后会呈现过放电状态，由此导致后备时间缩短、以致无法使用。
- 电池在保管期间也会出现老化而导致使用寿命缩短的现象。  
请尽快开始使用。
- 请在购买电池后6个月以内开始使用。  
安装于UPS进行保管时，请在保管前充电8小时以上，并在保管期间将电源开关切换为“关”状态。保管时间超过6个月时，请在超时前重新对电池进行充电。  
电池的充电时间请查看“Instruction Manual”。
- 若需要继续保管，则请在保管温度为25℃以下和40℃以下时分别以每6个月和每2个月的间隔对电池重新进行充电。

欧姆龙自动化(中国)有限公司

URL : <http://www.fa.omron.com.cn>

